



PortaOffice Phone Box

is a German telephone line with its own phone number that can be used throughout the world. Save on those expensive international call charges. Get called up at low cost throughout the world on your German landline number!

> **universally deployable, easy to install, simple to operate** <

Highlights

PortaOffice Phone Box is simply connected to the Internet.

PortaOffice Phone Box provides GSM-Standard speech quality and can thus be used in narrow-band networks.

PortaOffice Phone Box has an analogue phone line in each box.

PortaOffice Phone Box can be connected as a German exchange line to your telephone installation.

PortaOffice Phone Box can be connected to a cord-connected / cordless phone.

PortaOffice Phone Box can simply be taken along by those travelling. It can be used anywhere with an Internet connection.

PortaOffice Phone Box can be extended at the phone installation connection with as many exchange lines as are wanted.

PortaOffice Phone Box connects you with Germany from anywhere in the world – for only EUR 0.032 a minute (land line tariff to Germany).

PortaOffice Phone Box is centrally configured and serviced – no extra costs and installation outlay.

PortaOffice high performance for maximum reliability at a great price!

What is it about PortaOffice Phone that is so new and revolutionary?

The PortaOffice Phone Box was originally devised to connect home workstations and travellers with the company's own Voice over IP (VoIP) phone installation. Its tried-and-tested deployment throughout the world has made the system that perfected that it can be used with all Internet connections - with no difficulty at all.

Cooperation with a German service provider has enabled us to operate the PortaOffice Phone Box without the company-owned VoIP phone system as an absolutely normal exchange line.

PortaOffice Phone Box is fitted out with a connection set for RJ11 and TAE (telephone connection unit) sockets. Either an analogue cordless/cord-connected phone or the analogue input of a telephone installation can be connected to them.

If a local exchange line is simultaneously connected to the telephone installation, then selective exchange line allocation enables a choice to be made between the use of the German or the local exchange line.

If requested, the PortaOffice Phone Box can be given a phone number from where you live and under which you can be reached. You keep this phone number irrespective of the country you are moving to. No need for any special phones with the PortaOffice Phone Box; customary analogue phones are simply connected up.

Using a number of boxes you can connect several lines to a telephone installation. If requested, with individual phone numbers or as a system connection (direct dialling-in-enabled)

**Thanks to being configurable, PortaOffice Phone Box can be adapted to your own personal requirements.
Do contact us if you have any questions.**

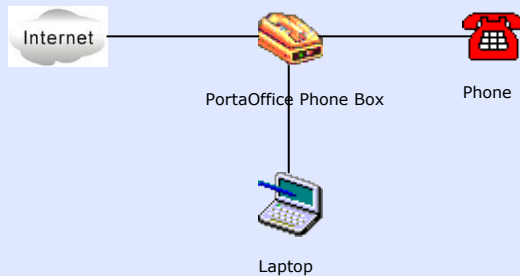
PORTAOFFICE

Phone

Diagrammatic examples of application

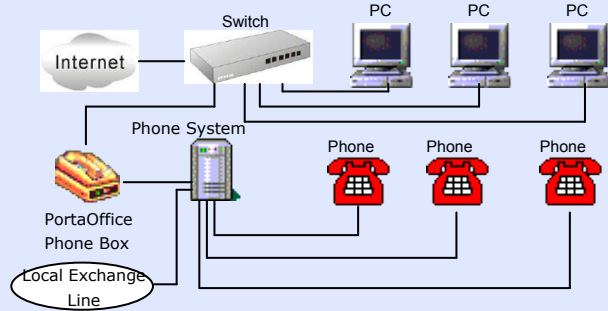
Connecting a cord-connected / cordless

Here you can see how the PortaOffice Phone Box is connected to a hotel connection when travelling or in the home office:



Connection of a branch office with PBX

Example of a network connection for a number of workstations:



There is more you would like?

Seceidos can also supply you with complete VoIP-based phone systems. Starface PBX, the VoIP software for your company, opens up considerable scope for using modern communications. Whether you are planning a simple yet effective call management system, virtual conference rooms or networking your national and international companies / branch offices, we provide you with the solution adapted to your company on the best-possible terms. Some of the benefits that Starface PBX provides you with:



- ◆ Considerably reduced phone infrastructure costs
- ◆ A centralized STARFACE telephone installation for the whole of your company, including field workers, home offices or sales offices.
- ◆ **Global access to STARFACE telephony functionalities**
- ◆ Communication process optimization e.g. by means of conference services, as many multifunctional answering machines as you want and CTI integration
- ◆ Less outlay on administration. Phone numbers, for instance, can be taken along without any re-configuration should staff move offices.
- ◆ Competent counselling, regular updates and maintenance

And you benefit from:

- ◆ **Platform-independent Web front-end:** Whether Mac, PC or Linux – all your staff phone with one system.
- ◆ **Simple operation and configuration per browser:** Global access to STARFACE thanks to Follow-me
- ◆ **Clear menu guide:** Staff can phone immediately – no instructional training costs.
- ◆ **Unlimited scalability:** STARFACE PBX grows as your company does.
- ◆ **More functions than with customary telephone installations:** z. B. chaired phone conferences with no limit on number of participants
- ◆ **Convergence of networks:** STARFACE makes possible efficiency, universality and extra functions, such as CTI and messaging.
- ◆ **Efficient and low-cost phoning** with, for instance, least-cost routing and call-back functions amongst many others.

Technical requirements / Scope of delivery

Specifications: CE: EN55022, EN55044, FCC Part 15, RoH-Sphone output: analogue telephone connection, Western PlugRJ11, adapter for TCU (Telephone Connection Unit) is enclosed, Ethernet connection WAN/Lan220/110 volts, current adapter for earthing contact receptacle, 1.5 m, Ethernet cable

Operating conditions: Operating temperature: 0 to 40°C, Storage temperature: -30 to 40°C, Air humidity: 10 to 90%, Operates in standard-configured Internet networks.

Internet connection with minimum 32kbit/s on IP level, power mains connection. When using company networks or specially configured networks settings at the Firewall must conform to use. (Our staff will be glad to reply to any questions you have either under sales@seceidos.de or at www.seceidos.de.) We will of course also ring you back to reply to your questions.